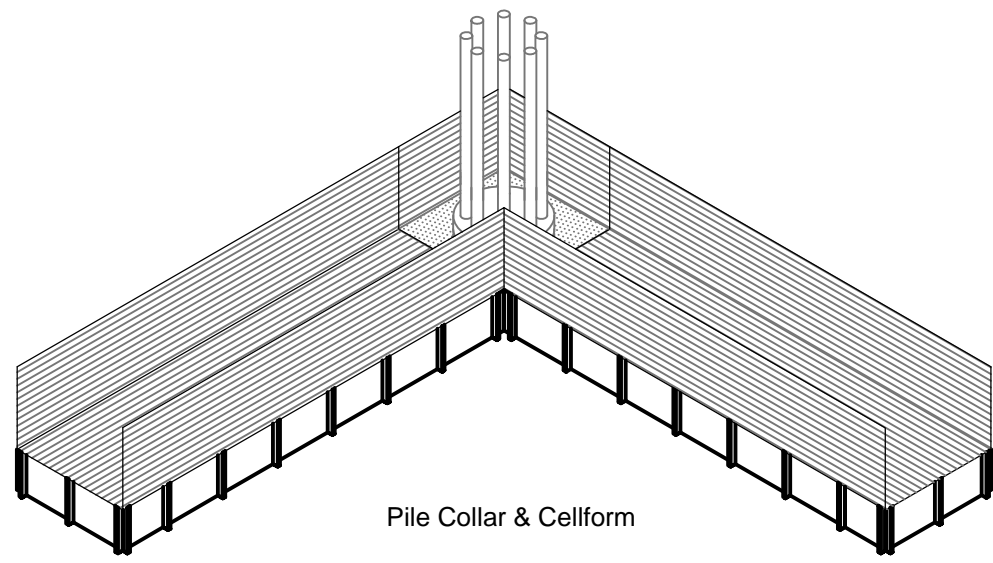
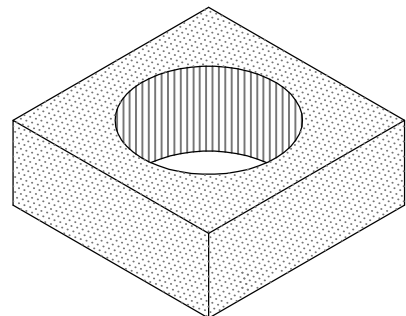
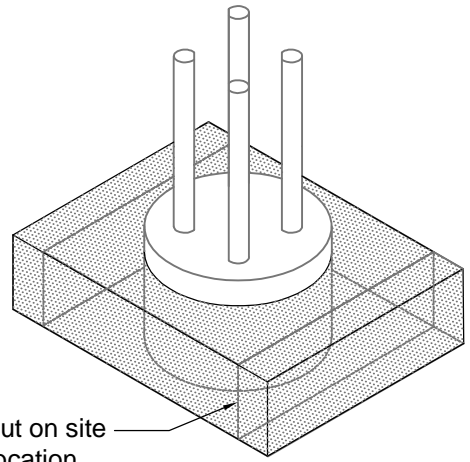
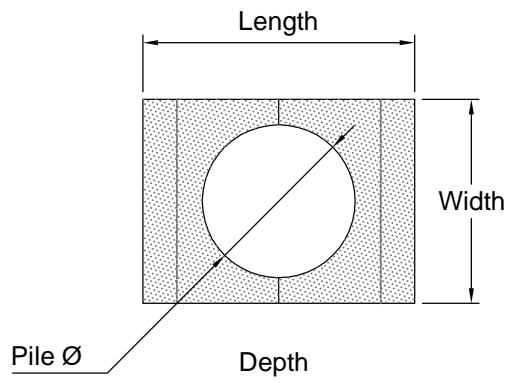


Pile Collars available with lengths, widths, depths & hole diameters to suit site specific requirements



Pile Collar & Cellform

Standard Detail



Tel : 01403 799600
Email : techsupport@cordek.com

Drg. Title:
Standard Pile Collar Detail - Heaveguard

Drawn: SJP

Date: June.2017 Scale: NTS

Drg No. ENG/GH/HVG/002 Rev. - 002

Products :-
Cellcore & Heaveguard.

- Notes :-**
- The appropriate specification of Cellcore and Heaveguard panels should be selected based upon the information provided in the relevant Cordek technical guidance.
 - Cellcore panels should be installed on a smooth, flat, well compacted surface comprising of a sand / cement or concrete blinding.
 - Where necessary, joints between individual Cellcore panels should be sealed using Cordek formwork tape.
 - Care should be taken not to surcharge the Cellcore panels with either reinforcement or concrete.