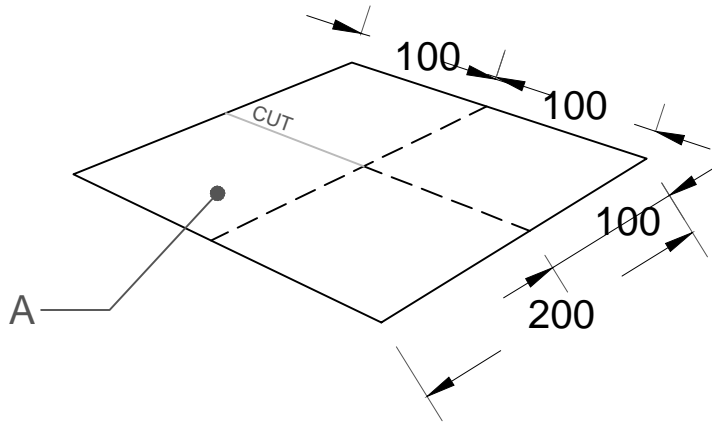
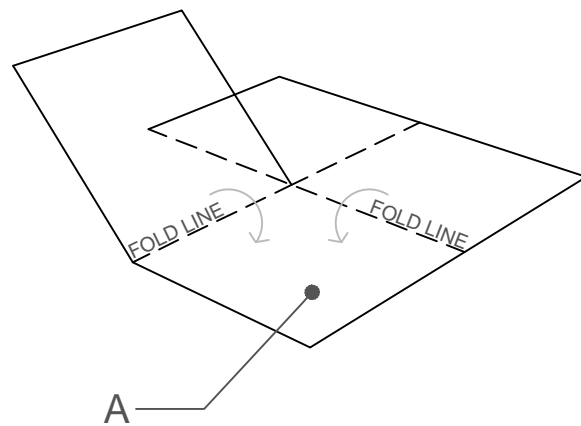


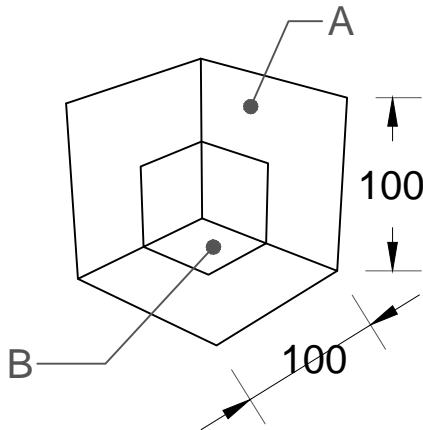
Stage One



Stage Two



Stage Three



Standard Detail



Tel : 01403 799600

Email : techsupport@cordek.com

Drg. Title: Cordek Hydrocarbon Protection System
Typical Internal Corner Detail

Drawn: SC

Date: 17.04.14

Scale: NTS

Drg. No. ENG/GP/MEM/PUR/22

Rev. -

Materials :-

Refer to Cordek technical data sheets for full detailed material specification

A. Cordek Puraflex
B. Cordek Puraflex Tank

Please note that Puraflex should be installed with welded joints only

Notes :-

- This detail is issued for guidance purposes only, with final approval required from the designer

- Do not scale from drawing, use dimensions provided

- All laps and junctions must be fully sealed with appropriate welding techniques or jointing system

- The intended construction sequence should be considered prior to selection of the appropriate Cordek standard detail to ensure that installation is practical and achievable

- In line with industry guidance and good practice, a sub-floor venting layer should be considered - please consult Cordek for further advice

- In accordance with BS8102:2009, should hydrostatic water pressure be a risk, additional waterproofing methods should be considered.